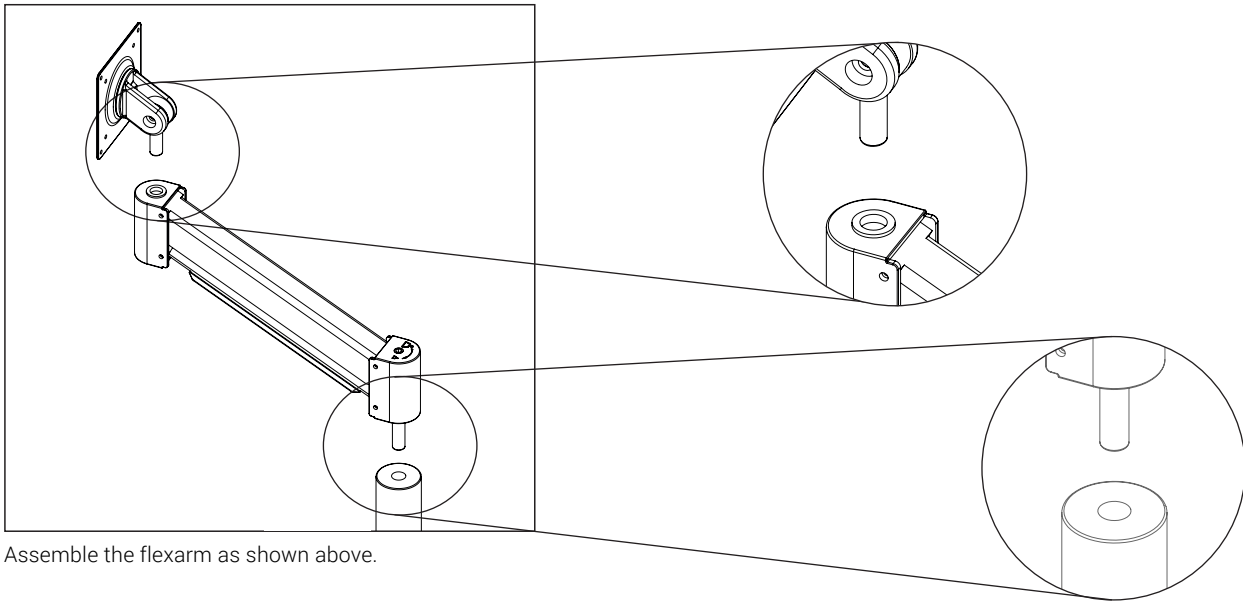


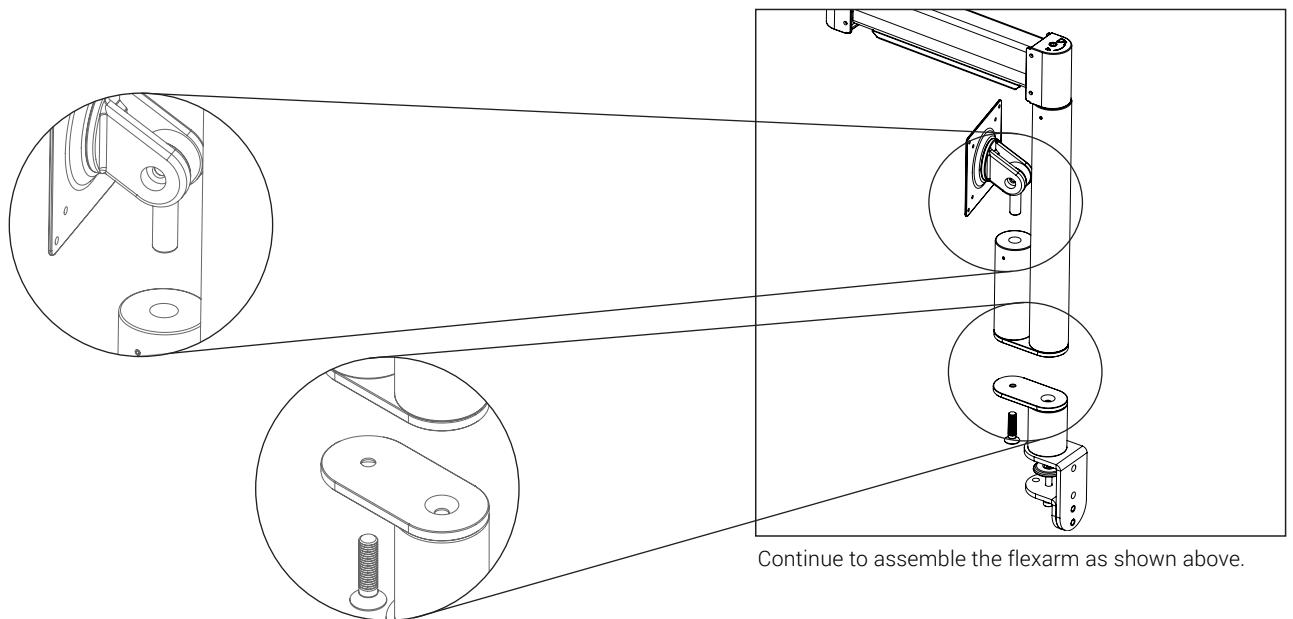
# MANUAL FLEX ARM INLINE

**TAGARNO**

ASSEMBLY AND COMBINATION (1/3)

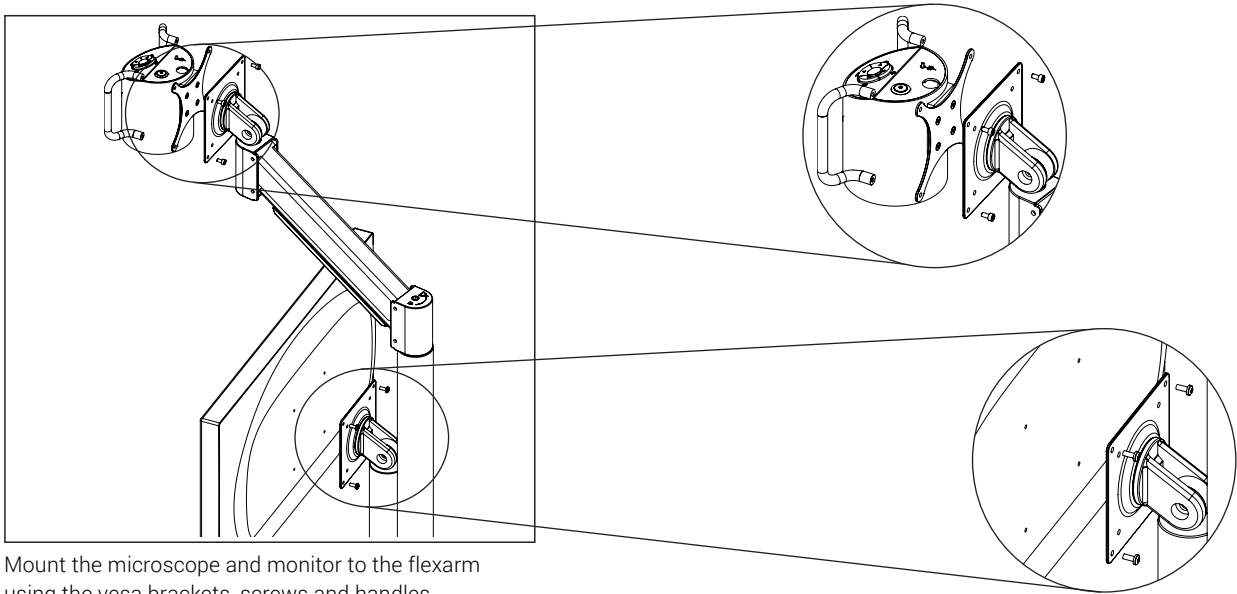


Assemble the flexarm as shown above.

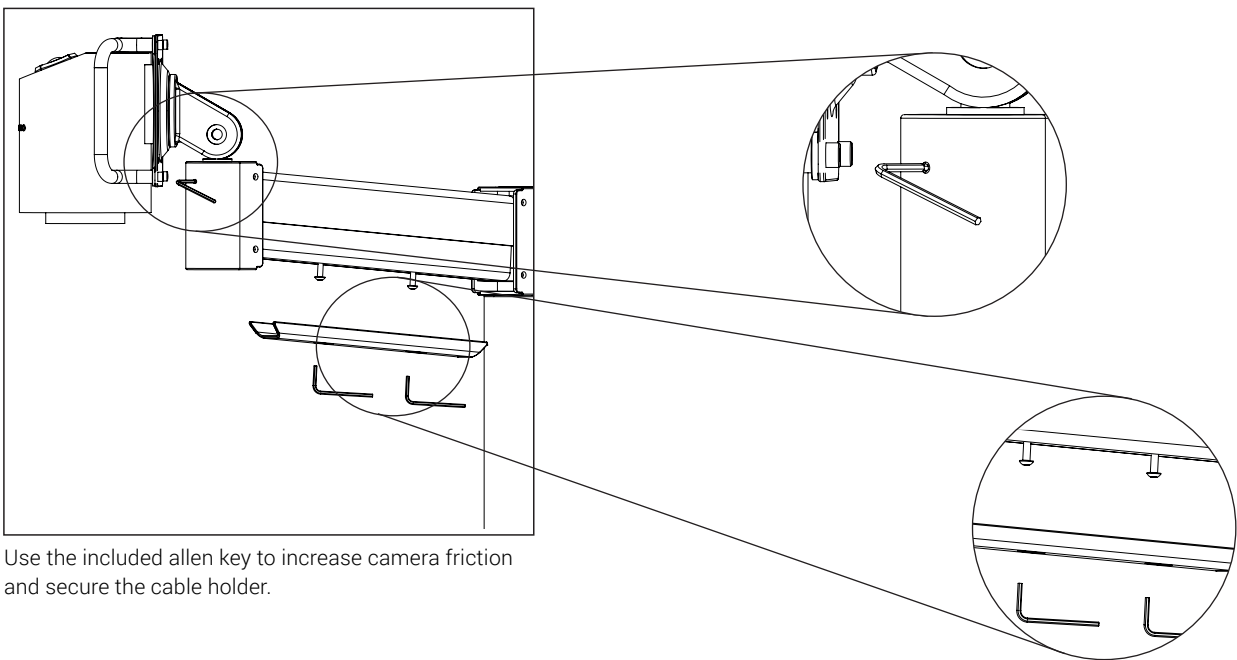


Continue to assemble the flexarm as shown above.

## ASSEMBLY AND COMBINATION (2/3)

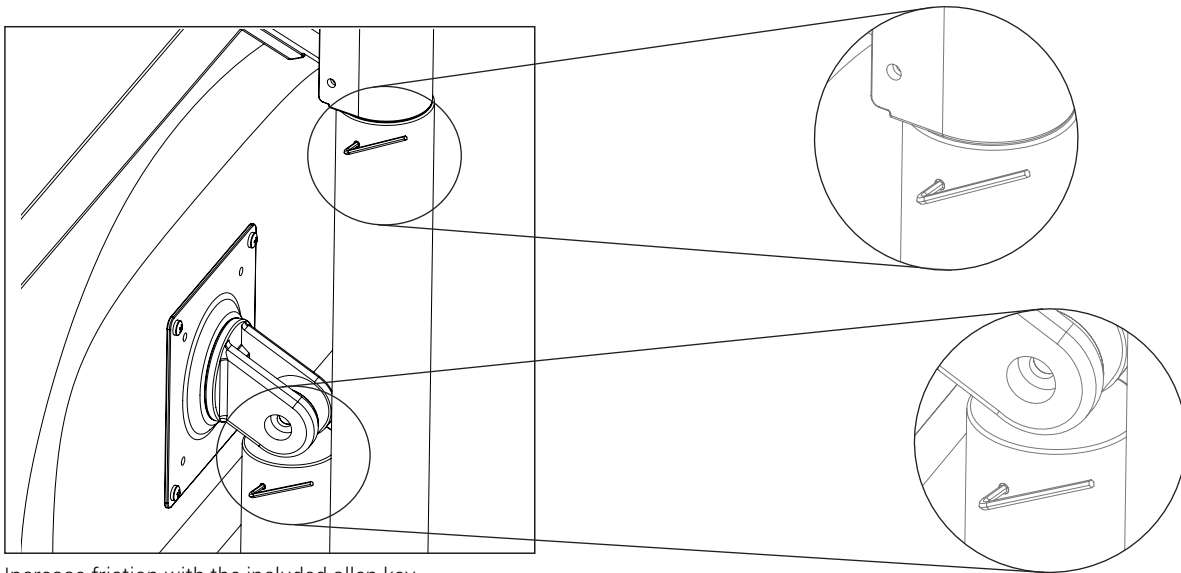


Mount the microscope and monitor to the flexarm using the vesa brackets, screws and handles.

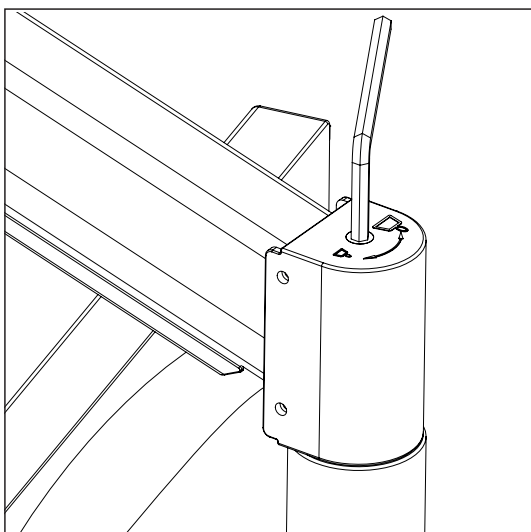


Use the included allen key to increase camera friction and secure the cable holder.

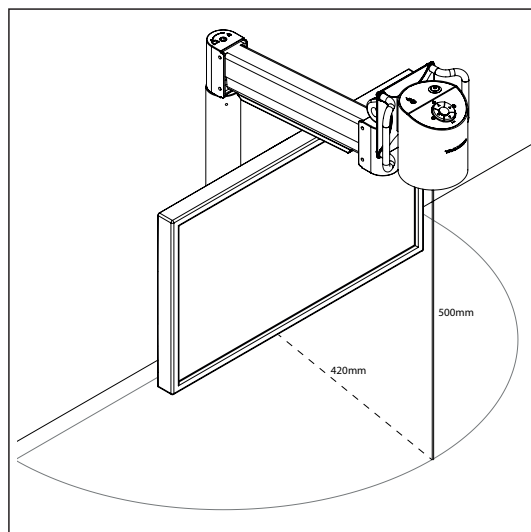
### ASSEMBLY AND COMBINATION (3/3)



Increase friction with the included allen key.



Adjust the flex arm by screwing clockwise with the included allen key.



Flex arm in line with lens +2.