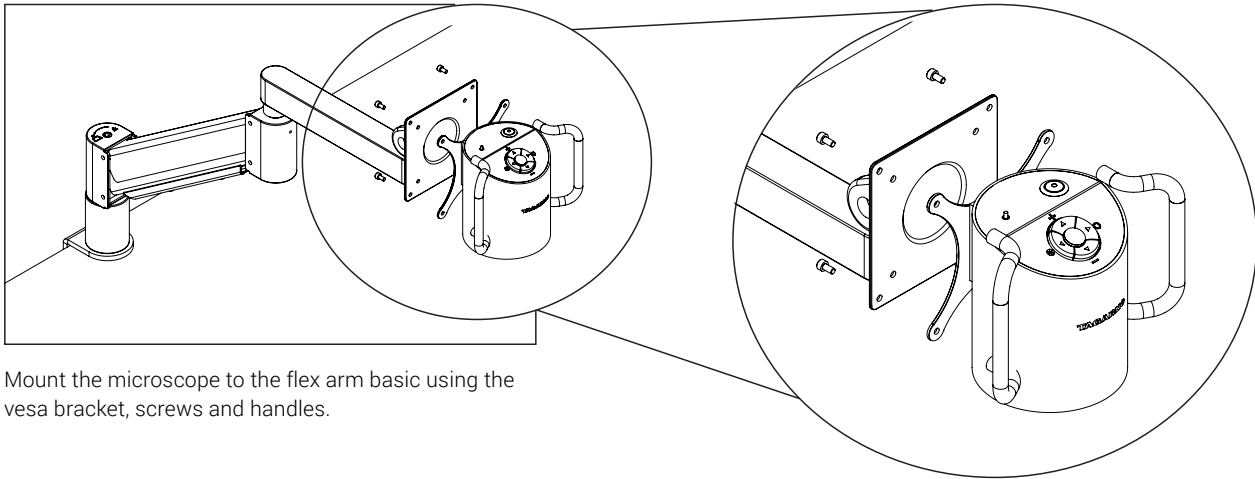


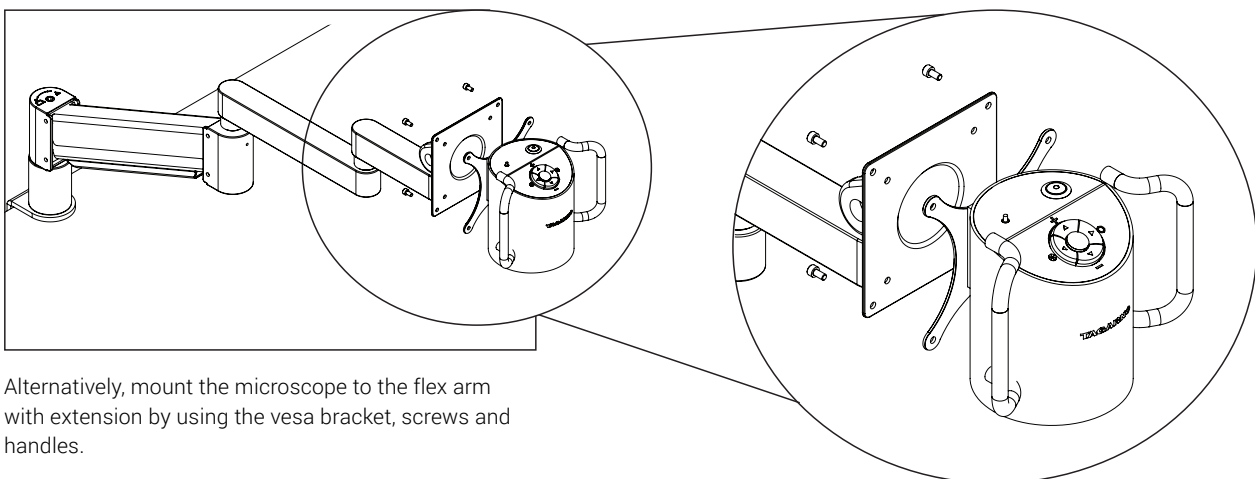
MANUAL FLEX ARM ADVANCED

TAGARNO

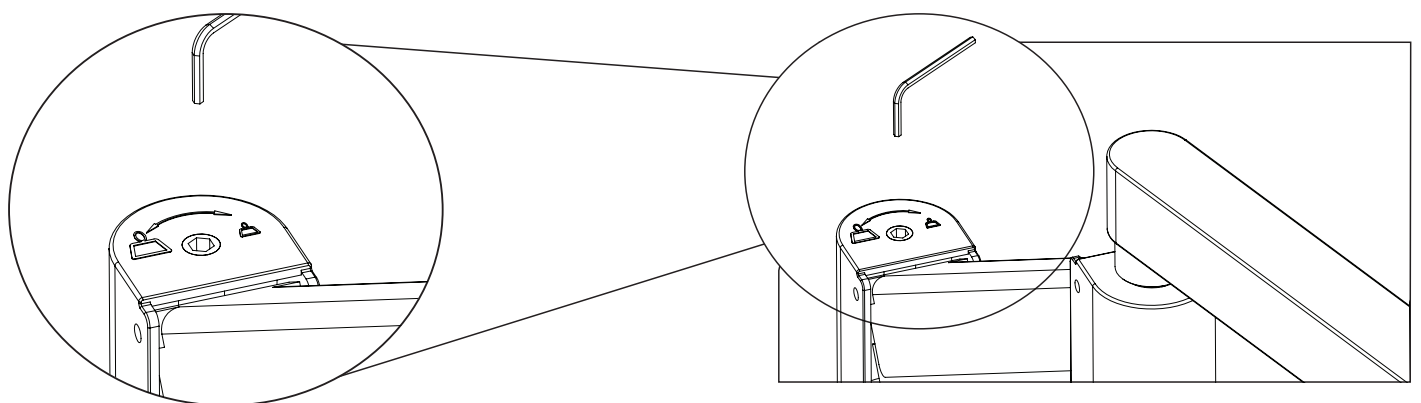
ASSEMBLY



Mount the microscope to the flex arm basic using the vesa bracket, screws and handles.



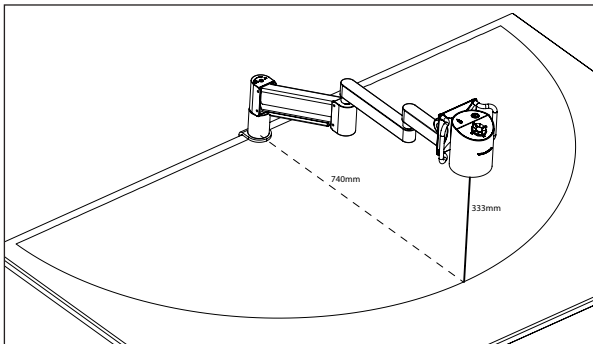
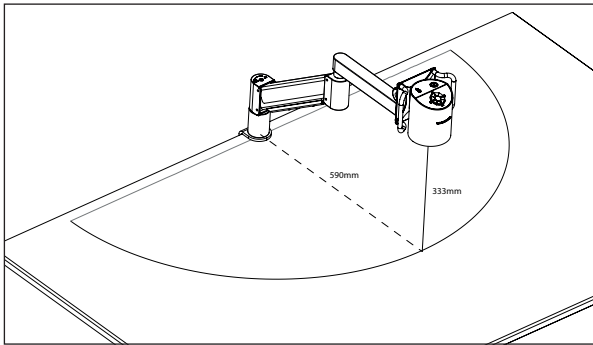
Alternatively, mount the microscope to the flex arm with extension by using the vesa bracket, screws and handles.



Adjust the flex arm weight by screwing clockwise with the included allen key.

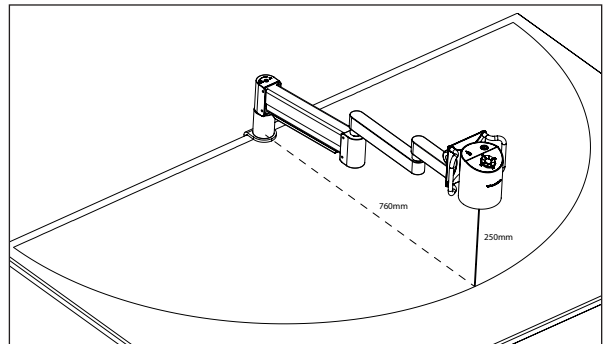
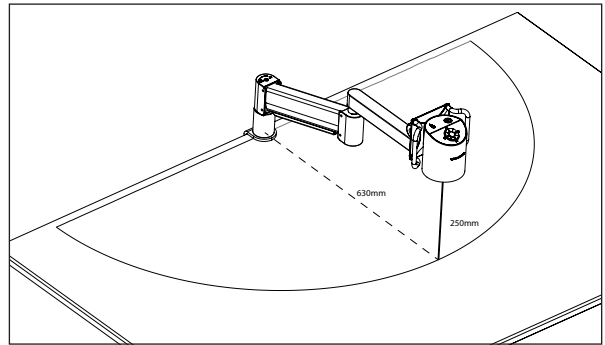
COMBINATIONS

+3 LENS



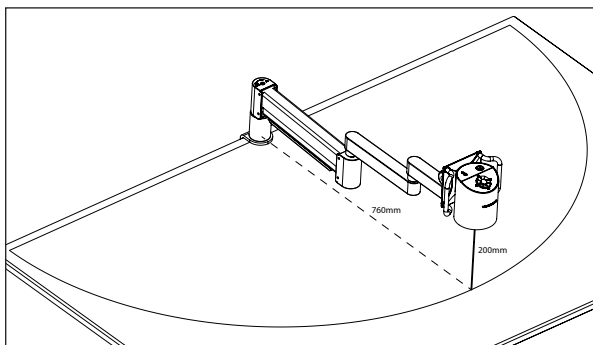
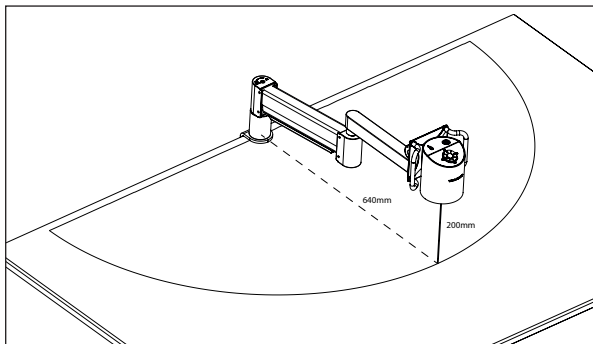
Flex arm advanced with +3 lens
(without and with extension)

+4 LENS



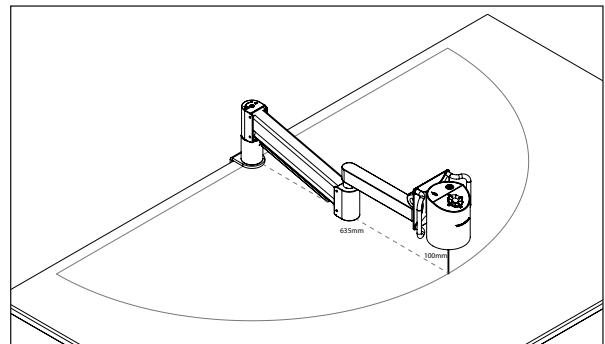
Flex arm advanced with +4 lens
(without and with extension)

+5 LENS



Flex arm advanced with +5 lens
(without and with extension)

+10 LENS



Flex arm advanced with +10 lens. Please note that it is not possible to use the flexarm extension with the +10 lens as the correct lens to object distance cannot be obtained.