

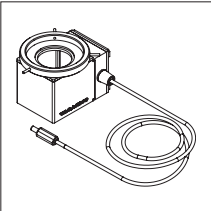
MANUAL | COAXIAL LIGHT

VERSION: 1.3 | 2019-02-15

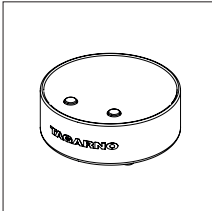
CONTENTS

1.	YOU HAVE RECEIVED	1
2.	ASSEMBLY AND CONNECTING	1
4.	OPERATION	2

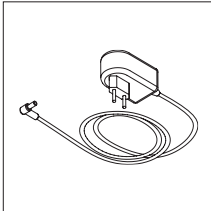
1. YOU HAVE RECEIVED



Coaxial light

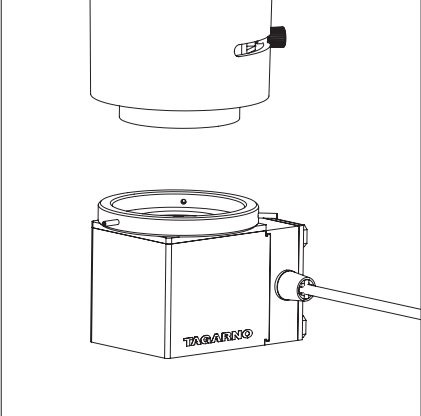


Basic control box

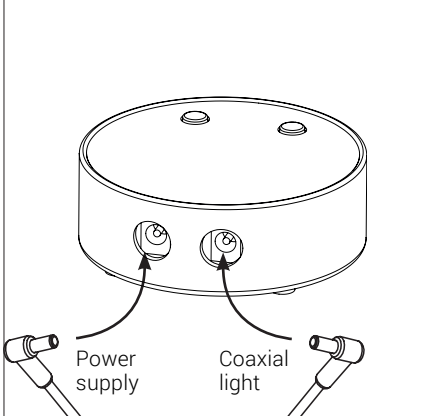


Power supply

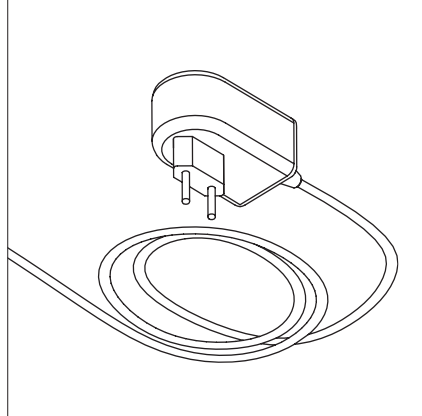
2. ASSEMBLY AND CONNECTING



Attach the coaxial light to the microscope



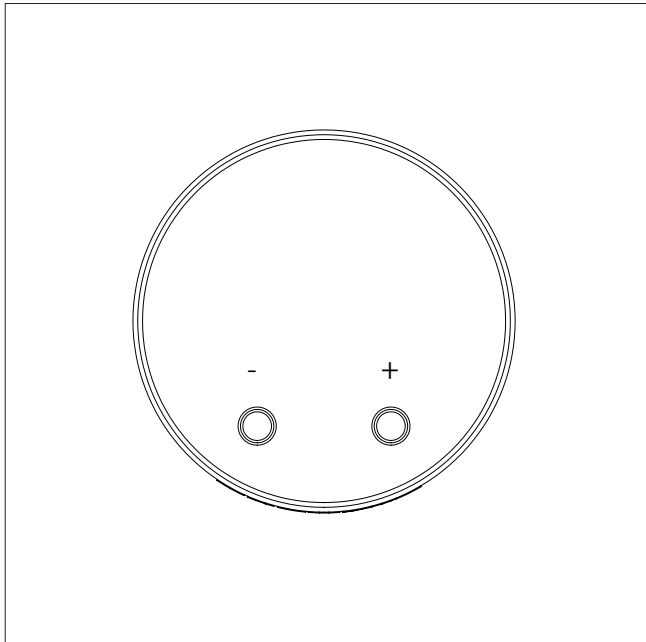
Connect the coaxial light and the power supply to the control box.



Connect the power supply to a power plug.



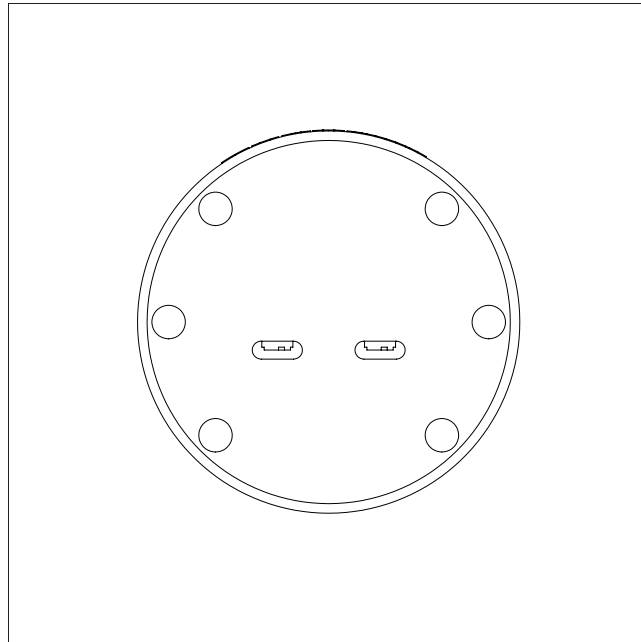
3. OPERATION



Turn the control box and LED light on by pressing the "+" or "-" button.
Control the light intensity by pressing the "+" or "-" button.

Turn the control box off by pressing the "+" and "-" buttons down simultaneously for one second before letting go.

When turning the control box back on, it will automatically use the last used setting.



Left Switch: ECO on/off
Right Switch: Sound on/off

The switches can be turned on/off using a hard object, eg. pen or screwdriver.

Note! Before changing the ECO and Sound switches, do not forget to unplug the control box.

Power saving/ECO mode

After 20 minutes of not using the intensity buttons, the intensity is automatically reduced to 10% of the maximum.

A short press on the "+" or "-" button will reset the control box to the original intensity.



EQUIPMENT DISPOSAL

This equipment is marked with the crossed out wheeled bin symbol to indicate that this equipment must not be disposed of with unsorted waste.