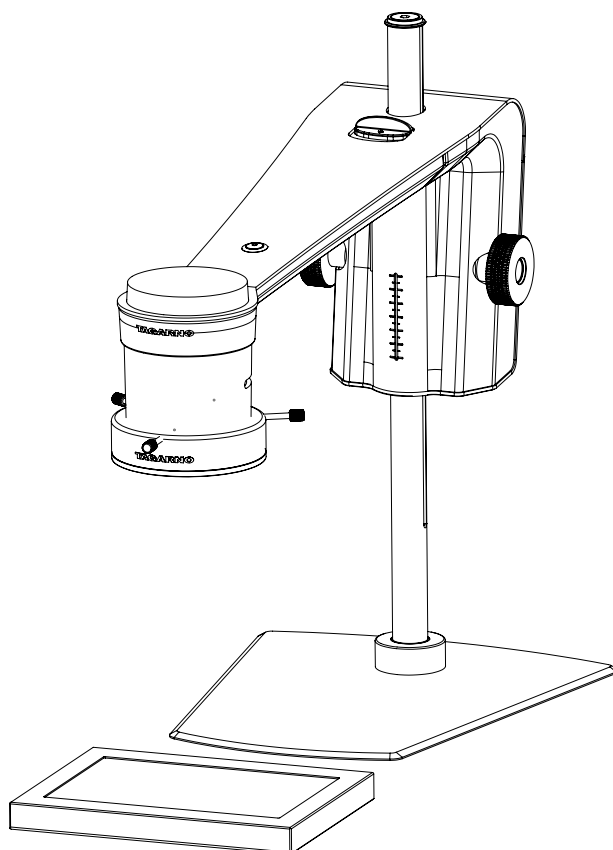


# GUIDE | TAGARNO IMAGE ANALYSIS / PARTICLE ANALYZER

VERSION: 1.3 | FIRMWARE 5.10 | 2020.05.25



## CONTENTS

1.	ASSEMBLING	2
2.	TOOLBOX	2
3.	OPERATION	3

The Particle Analyzer enables you to objectively analyze/validate the shapes in a sample directly on a TAGARNO digital microscope.

# 1. ASSEMBLING

## Light settings

To get the best results, it is crucial that the right accessories is present and that the settings are rightfully adjusted.

## Equipment needed:

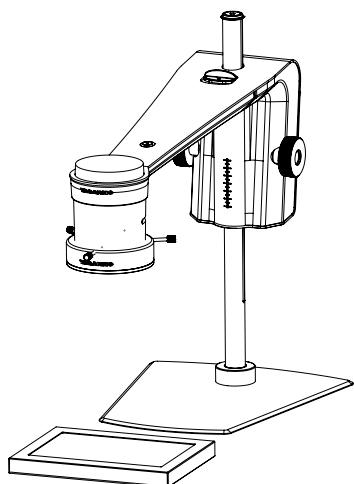
Back light  
Ring light white  
Basic or Advanced control box (external lighting)

This enables the app to run objective and reproducible analyses.

The microscope light settings are automatically set to auto exposure.

## Step 1

Start by placing the pellets on a backlight as shown below.



This will eliminate shadows and help the application distinguish between the pellets and the surface they are placed on.

## Step 2

Adjust the intensity of the microscope light to eliminate reflections.

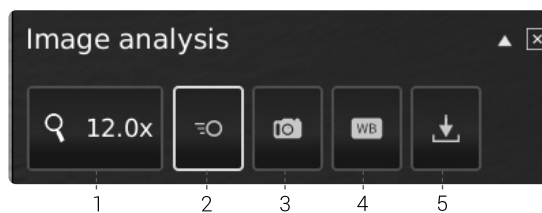
## Step 3

Mount a Ring light white from TAGARNO on the microscope as described in the TAGARNO Ring light white user guide.

## Step 4

Adjust the light settings to the right intensity using the preferred control box.

# 2. TOOLBOX



## 1. Magnification level

Use a keyboard or the control box to choose magnification level.



## 2. Live View

Use this button to toggle between live and snapshot. In Live mode, the live camera image is active. In Still Image mode, the latest snapshot will be shown.



## 3. Snapshot

Use this button to take a snapshot of the live image. The snapshot will not be saved automatically. The snapshot is used for toggling between "Live and Still Image mode".



## 4. White balance calibration (WBC)

Perform an automatic white balance adjustment in order to get colors displayed correctly on screen. There must be a white object present in the camera field of view when the white balance is being adjusted. A white balance calibration is made each time the camera is turned on to adjust to the given light conditions. A white balance calibration must also be made every time the light conditions change.

NB! If the camera field of view does not contain a white object when the unit is turned on, the white balance will be incorrect and it will be necessary to perform the white balance adjustment process as described previously.



## 5. Save Image

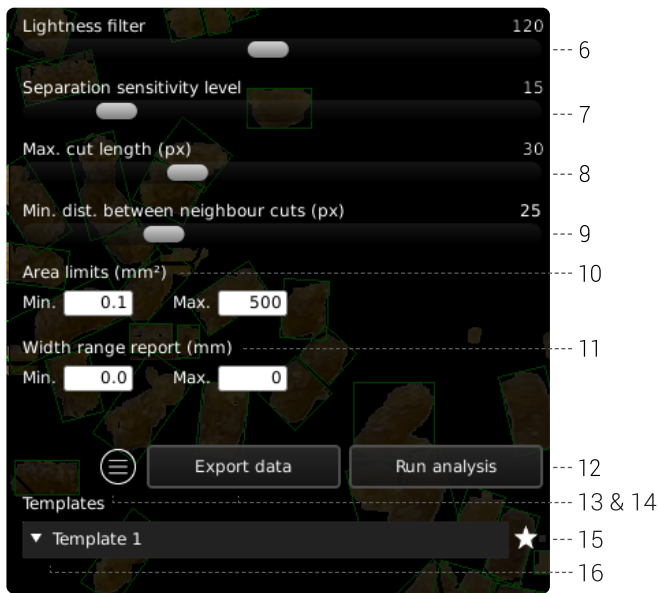
This button provides the possibility to save the current view with graphics. When activated, the information panel will also appear from the saved image (see pt. 15).

When saving an image, an information window will appear for a few seconds showing the file name and storage location.

The image will be saved on the inserted USB memory stick. If a USB memory stick is not attached, the image is saved internally on the microscope, provided the share file mode is turned on in General settings.

## 2. OPERATION

### OPERATION (1/2)



#### Choose values

Start by running the analysis (see pt. 14) and then choose values by sliding the bar or typing in the number field by using a connected keyboard.

#### 6. Lightness filter

Use this slider to define what lightness level separates the sample from the background.

#### 7. Separation sensitivity level

Use this slider to enable the application to detect if two pellets are overlapping. That is, define when the application must count a detected pellet as two instead of one.

#### 8. Max cut length (px)

This slider defines the maximum cut length in pixels.

#### 9. Min. distance between neighbor cuts (px)

This slider defines the minimum distance between cut starting points.

#### 10. Area limits (mm<sup>2</sup>)

Define minimum and maximum area values of interesting pellets to be identified by the application.

#### 11. Report width range (mm)

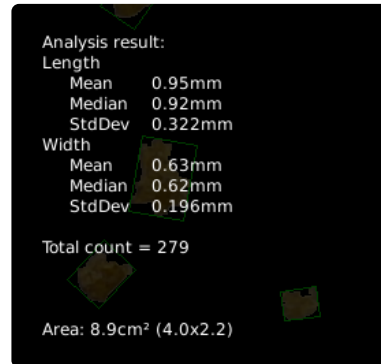
Define minimum and maximum width of pellets that you want to know the percentage of in the total pellet count.

#### 12. Information panel

Activate this information panel to view all details of template, area and analysis results.

If a specific pellet has been selected/invalidated, the information panel will also include measurements of that specific pellet.

Disable the information panel by pressing the icon again.



#### 13. Export data

Exported data can be imported to a spread sheet for easy comparison of pellets within and across samples.

The analysis results are automatically saved on a USB memory stick if inserted. If a USB memory stick is not attached, the image is saved internally on the microscope, provided the share file mode is turned on in General settings.

#### 14. Run analysis

Choose this option to run an analysis of the current image and get indications of the pellet shapes and dimensions within the sample.

The analysis will always be performed using a still image which is automatically captured during the analysis process.

#### 15. Save template

- Click once on the star symbol to save a template using the current zoom level, slider positions and color values
- State preferred name and press save

The template is now saved and available for later use.

#### 16. Recall template

Recall a saved template by clicking on the list and choosing the template of your choice.

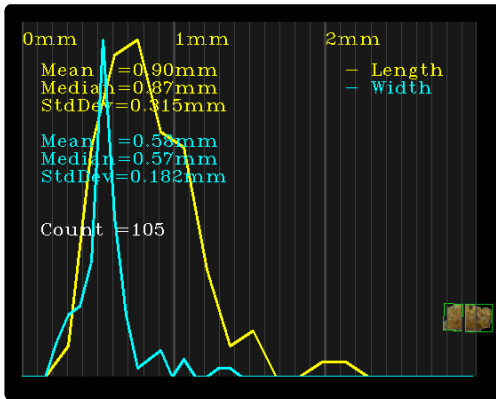
Delete a template by pressing the X at the right of each saved template.

## OPERATION (2/2)

### Particle Analyzer result

When an analysis has been performed, the pellets will be outlined with a green rectangle and displayed on a black background.

Besides being available in the information panel (see pt. 12), the results will also be displayed on the left side of the monitor as shown below.



The result includes the length and width mean, median and standard deviation of all identified pellets. These results are also shown as a yellow and blue graph.

The result also includes the total pellet count.

The data can be exported using the Export data feature (see pt. 13).